



**DYNATRON**

The Thermal Solution Architect

[WWW.DYNATRON.CO](http://WWW.DYNATRON.CO)

## Product Spec Sheet

# L13

## Table of Contents

1. Product Description .....	page 3 and 4
2. Thermal Performance Curve .....	page 5
3. DM and EP Drawing .....	page 6, 7, and 8
4. RoHS Certificate.....	page 9



**DYNATRON**  
The Thermal Solution Architect

## **NEW PRODUCT SPEC SHEET**

### **Model Number: L13**

- Recommend for Intel® Xeon® Platinum / Gold Family Processor ( Products formerly Skylake ), Socket FCLGA3647
- **For Narrow ILM Only**
- Liquid Cooler for 4U Workstation

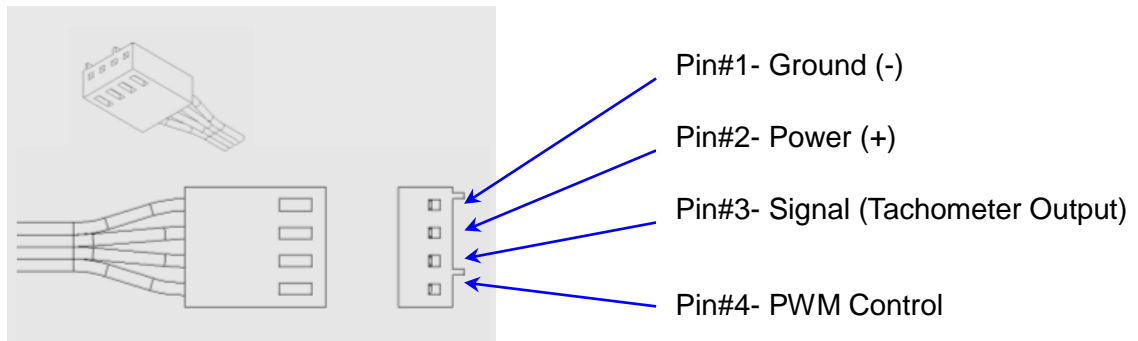
#### **Overall Description :**

- Cold Plate Module with Copper Base
- Space Saver Light Weight Radiator
- 12cm Cooling Fans with 4-Pin PWM Connector
- Stand-alone Water Pump with Powerful Flow Rate 1.7 Liter Per Minute
- 30cm Black Pair EPDM Tube Assembled
- Mounting Accessories are included
- Shin-Etsu Series Thermal Compound Pre-Printed on Base
- Support CPU Heat Dissipation for 205Watts and up

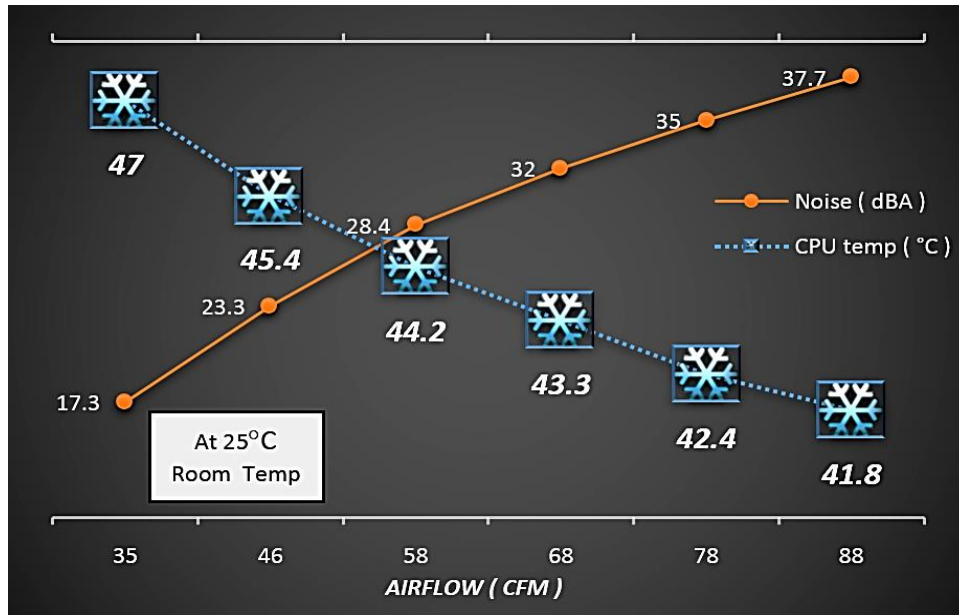
#### **Cooling Fan Specification:**

- Model Number: DF121238BH - PWMG
- Dimension: 120mm x 120mm x 38mm
- Bearing: Liquid State
- Rated Voltage: 12V
- Rated Speed:
  - At Duty Cycle 0~20%: 900±200 RPM
  - At Duty Cycle 50%: 1500±200 RPM
  - At Duty Cycle 100%: 2300±10% RPM

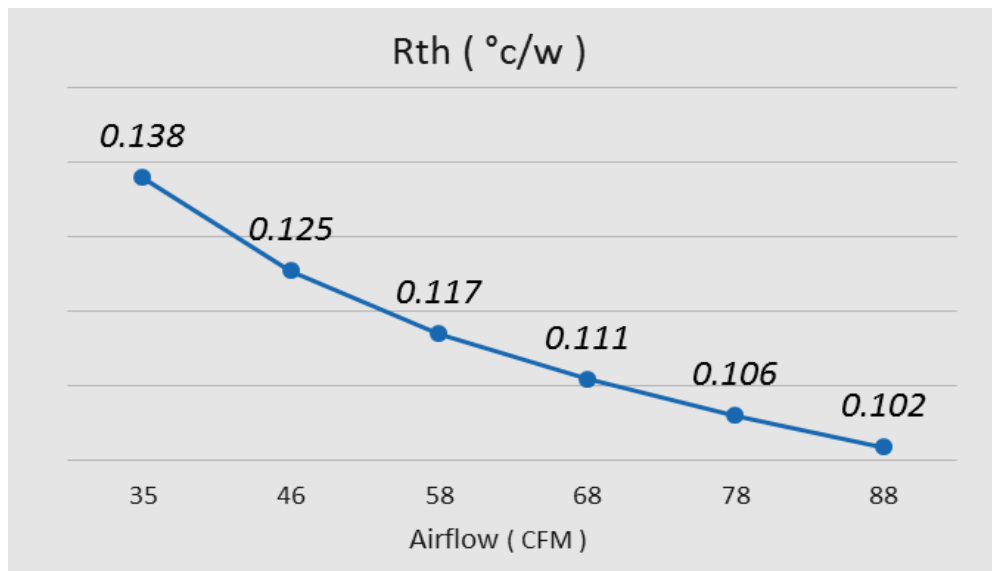
- Rated Input Power:
  - At Duty Cycle 0~20%: 1.2 W
  - At Duty Cycle 50%: 2.0 W
  - At Duty Cycle 100%: 4.9 W
- Rated Airflow:
  - At Duty Cycle 0~20%: 34.8 CFM
  - At Duty Cycle 50%: 58.0 CFM
  - At Duty Cycle 100%: 88.93 CFM
- Rated Static Pressure:
  - At Duty Cycle 0~20%: 0.79 mm-H<sub>2</sub>O
  - At Duty Cycle 50%: 2.20 mm-H<sub>2</sub>O
  - At Duty Cycle 100%: 5.17 mm-H<sub>2</sub>O
- Rated Acoustical Noise:
  - At Duty Cycle 0~20%: 17.3 dBA
  - At Duty Cycle 50%: 28.4 dBA
  - At Duty Cycle 100%: 37.7 dBA
- Lead Wire Pin Out Diagram :



## Desktop Liquid Cooler L13 Thermal Performance ( Airflow VS. CPU Temperature & Noise )



( Airflow VS. Thermal Resistance )



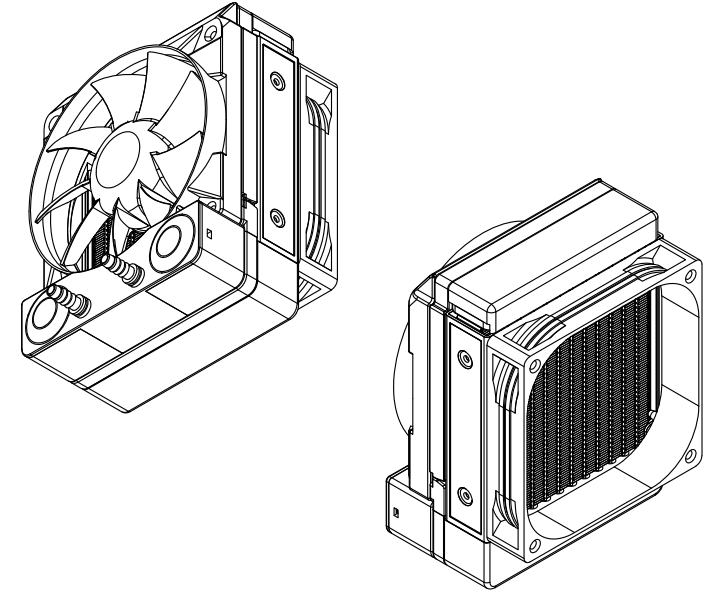
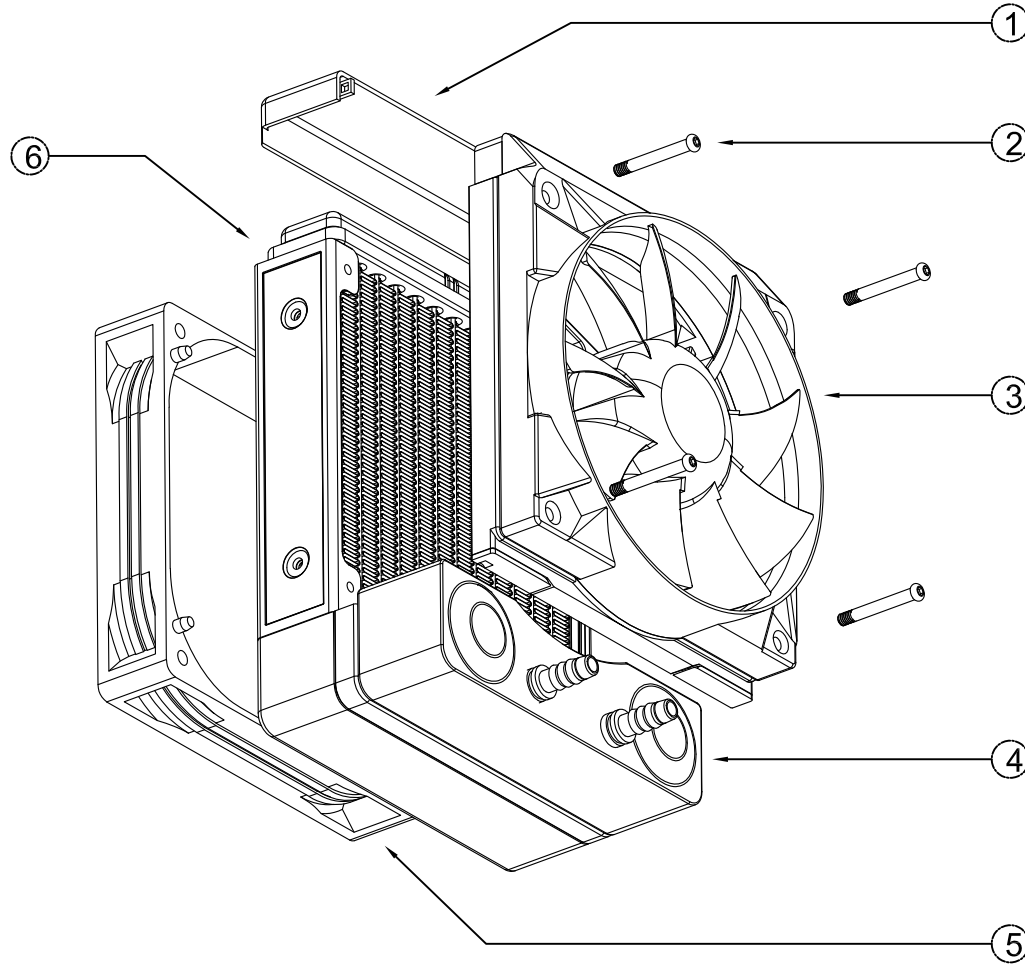
**CONFIDENTIAL DOCUMENT**

THIS DRAWING CONTAINS INFORMATION PROPRIETARY TO DYNATRON CORPORATION AND DYNAEON INDUSTRIAL CO., LTD. ANY REPRODUCTION, DISCLOSURE, OR USE OF THIS DRAWING IS EXPRESSLY PROHIBITED EXCEPT AS DYNATRON CORPORATION AND DYNAEON INDUSTRIAL CO., LTD. MAY OTHERWISE AGREE TO IN WRITING.

REV#	DESCRIPTION	CHECKER	DATE
0.0	INITIAL RELEASE	LANG	04/06/2018

ASSEMBLY PARTS


WHOLE SET OF CONDENSER



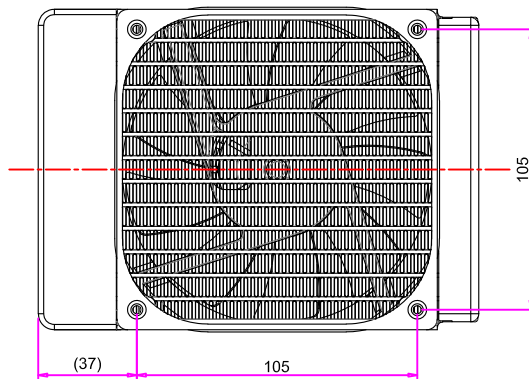
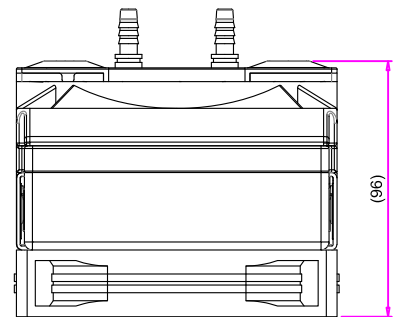
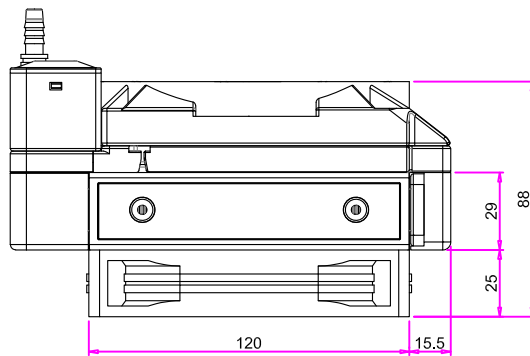
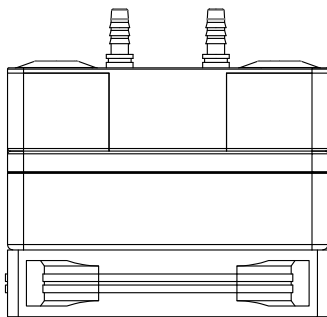
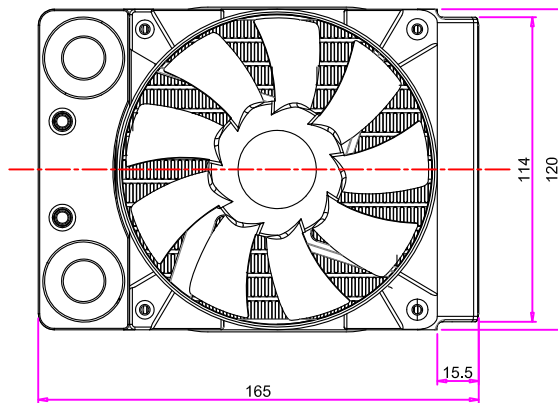
6	Radiator	Aluminum Alloy	1
5	Adapter Frame	Plastic	1
4	Pump Enclosure	Plastic	1
3	Fan, DF121238SH-PWM, 2400RPM	Plastic Frame	1
2	Screw, Fan	Steel	4
1	Cover, Top	Plastic	1
ITEM#	DESCRIPTION	MATERIAL	QTY.

**Notes:**

1. The Figure is For Reference Only, and Not For Scale
2. Overall Dimension: 165 x 120 x 96 mm

DATE	NAME	 <b>DYNATRON CORPORATION</b>
DRAWN 04/06/18	ENGR	
CHECKED 04/06/18	LANG	
ENG. APPR.		
MFG. APPR.		
Q.A.		<b>TITLE: Desktop Liquid Cooler L13 Condenser BOM &amp; Exploded Assembly Drawing</b>
COMMENTS:		
DWG. No:		REV
<b>DYN-EP-L13</b>		<b>0.0</b>

REV#	DESCRIPTION	CHECKER	DATE
0.0	INITIAL RELEASE	LANG	04/06/18



	NAME	DATE
DRAWN BY	ENGR	04/06/2018
CHECKED BY	LANG	04/06/2018
ENG.APPROVED		
MFG.APPROVED	-	-



**DYNATRON CORPORATION**

TOP MOTOR

TITLE: Desktop Liquid Cooler **L13**  
Overall Dimension Drawing

**CONFIDENTIAL DOCUMENT**

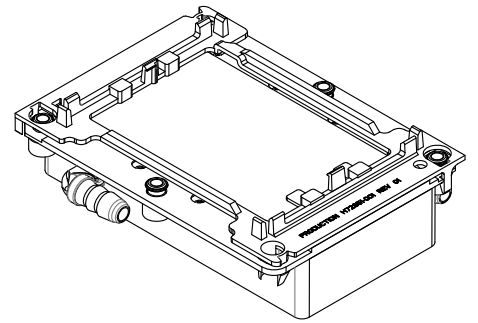
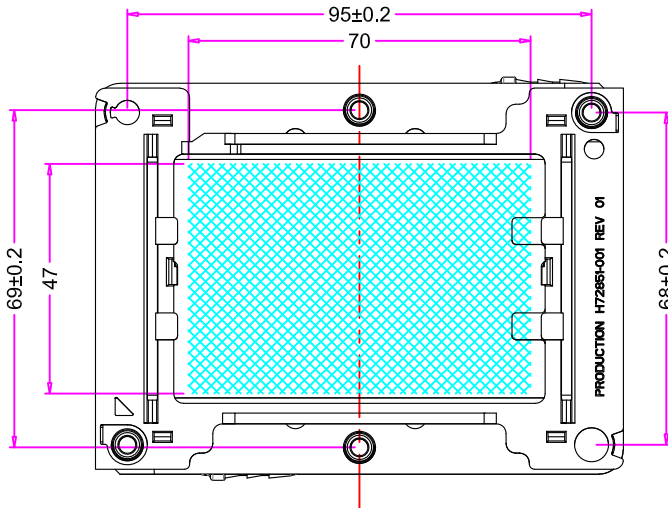
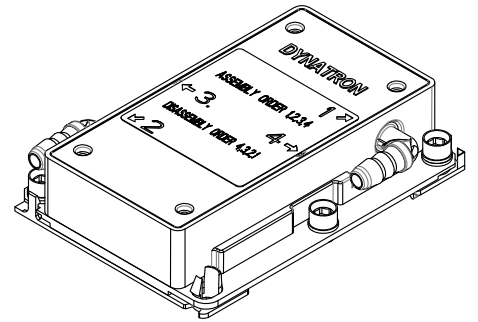
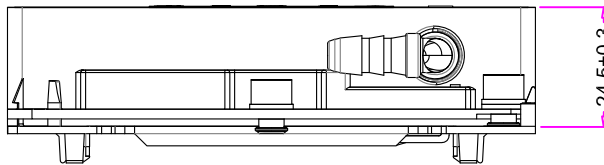
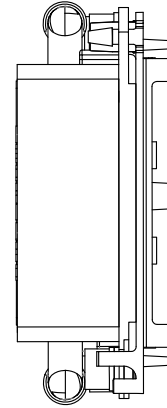
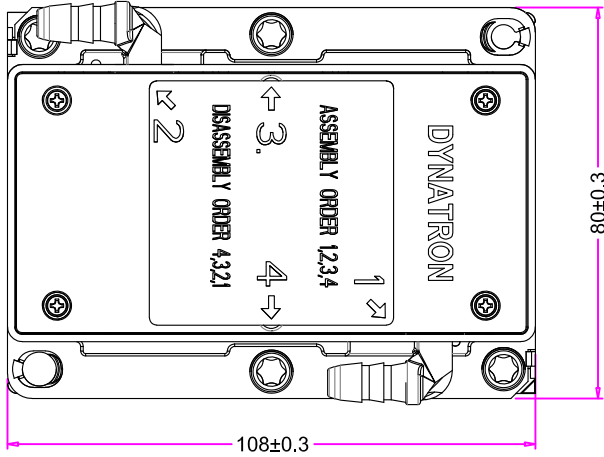
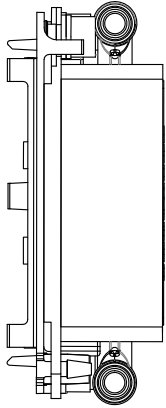
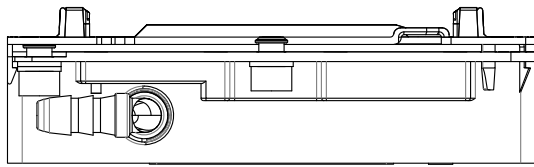
THIS DRAWING CONTAINS INFORMATION PROPRIETARY TO DYNATRON CORPORATION AND DYNAEON INDUSTRIAL CO., LTD. ANY REPRODUCTION, DISCLOSURE, OR USE OF THIS DRAWING IS EXPRESSLY PROHIBITED EXCEPT AS DYNATRON CORPORATION AND DYNAEON INDUSTRIAL CO., LTD. MAY OTHERWISE AGREE TO IN WRITING.

VIEW	
UNITS	MM

DWG. No: **DYN-DM-L13**

REV. **0.0**

REV#	DESCRIPTION	CHECKER	DATE
0.0	INITIAL RELEASE	LANG	04/06/18



ITEM#	DESCRIPTION	MATERIAL	QTY.
5	THERMAL GREASE, PRE-APPLIED	SHIN-ETSU 7762	1
4	SCREW	STEEL	14
3	TUBING FITTING	PLASTIC	2
2	COLD PLATE ENCLOSURE	PLASTIC	1
1	COLD PLATE BASE	COPPER 1100	1

	NAME	DATE
DRAWN BY	Engr.	04/06/18
CHECKED BY	LANG	04/06/18
ENG. APPROVED		
MFG. APPROVED	-	-

**CONFIDENTIAL DOCUMENT**  
 THIS DRAWING CONTAINS INFORMATION PROPRIETARY TO DYNATRON CORPORATION AND DYNAEON INDUSTRIAL CO., LTD. ANY REPRODUCTION, DISCLOSURE, OR USE OF THIS DRAWING IS EXPRESSLY PROHIBITED EXCEPT AS DYNATRON CORPORATION AND DYNAEON INDUSTRIAL CO., LTD. MAY OTHERWISE AGREE TO IN WRITING.



**DYNATRON CORPORATION**

TOP MOTOR

TITLE: Cold Plate, Liquid Cooler **L13**  
 BOM & Overall Dimension Drawing

VIEW	
UNITS	MM

DWG. No:

**DYN-BD-CP**

REV. **0.0**





## Certificate of Environment Protection 環保證明書

Document Number: RH\_L13-R0

<b>Customer:</b> 客戶名稱:	<b>Company:</b> _____ <b>Address:</b> _____ <b>Phone Number:</b> ____ - ____ - _____
<b>Issue Date:</b>	04/06/2018
<b>Product Model Number:</b>	L13
<p> <b>Dynatron Corporation</b> hereby declares and certifies that all components manufactured are RoHS compliant according to the definitions and restrictions given by the European Union's Restriction (Directive 2002/95/EC) (Decision2011/65/EU)RoHS 2, on the restriction of the use of certain Hazardous Substances in the electrical and electronic equipment. Also, compliance to the most recent list of substances on the REACH candidate list.                     </p> <p> <b>Number of substances on the Candidate List: 168 (last updated: 17/12/2015)</b> </p> <p>                         No exemptions are claimed in order for the part to be compliant with the RoHS directive.                     </p> <p> <b>Dynatron Corporation / 政久興業股份有限公司</b>證明所有產品,零件 (包括附屬品, 包裝類) 之環境管理物質完全符合 RoHS, WEEE, 及該環保標準之規定, 並承諾遵循以上之證明.                     </p> <div style="text-align: right; margin-top: 20px;"> <p><b>Dynatron Corporation.</b></p> <p>33200 Western Ave,</p> <p>Union City, CA 94587</p> <p><a href="http://www.Dynatron-corp.com">www.Dynatron-corp.com</a></p> </div> <p style="margin-top: 20px;"> <b>Title (職務):</b> _____ ASSISTANT-MANAGER _____                     </p> <p style="margin-top: 10px;"> <b>Signature (簽字):</b> _____ <i>Alan Lee</i> _____                     </p> <p style="text-align: right; margin-top: 10px;">                         Date: 04 / 06 / 2018                     </p>	

